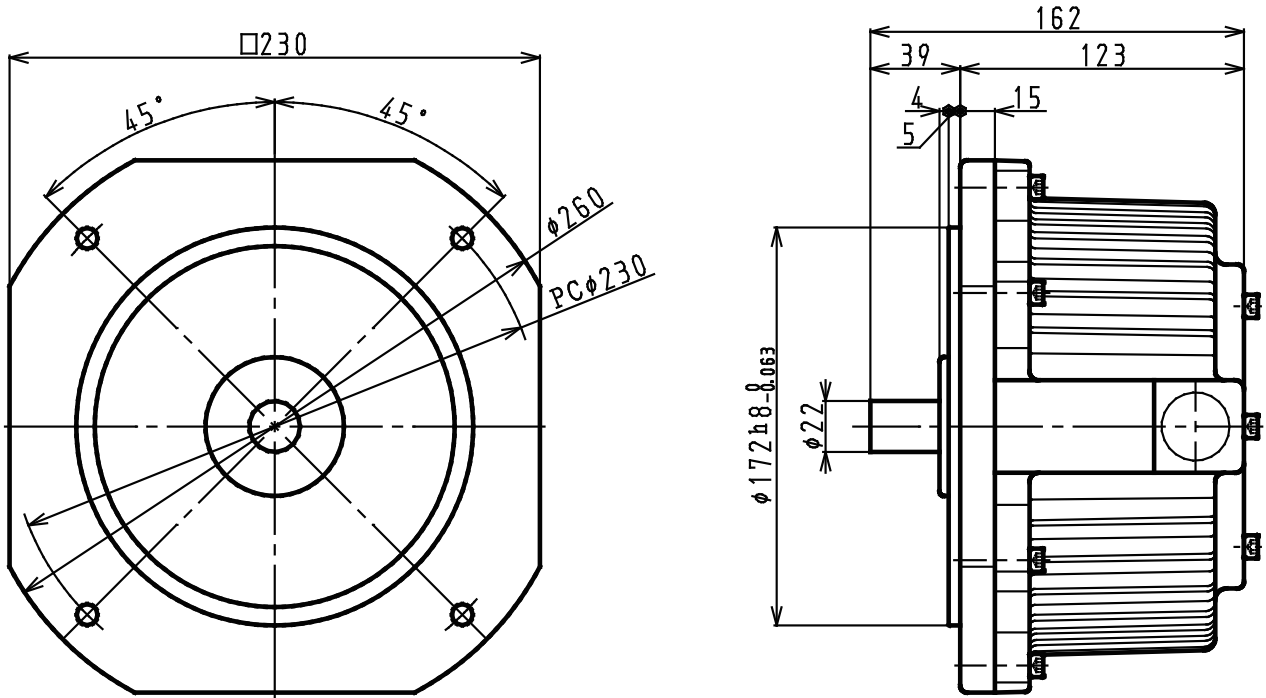


Switched Reluctance Motor for Electric Motorcycle

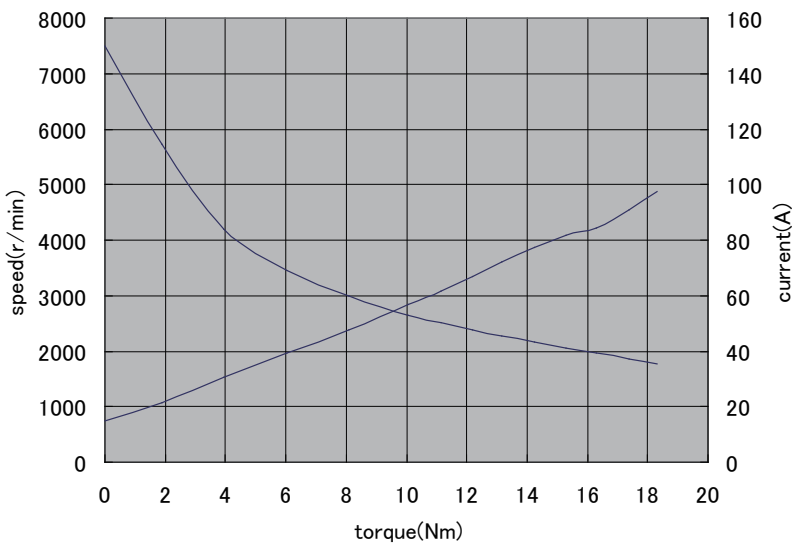
◇ Outside dimension



◇ Specifications

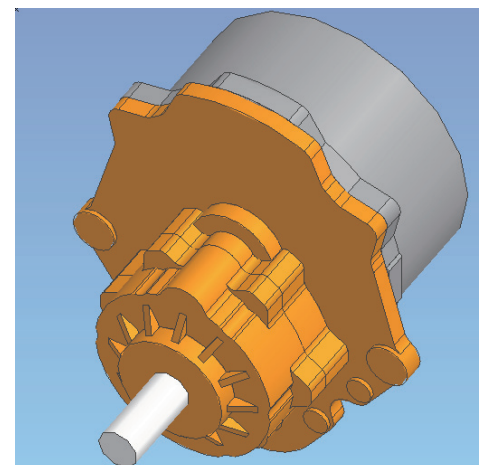
Type	Rating voltage	Rating current	Rating speed	Rating output	Rating Time
SRM-S18T-1	DC72V	19A	6750r/min	0.59kW	Continuity
		67A	2400r/min	3.0kW	5minutes
Maximum speed	Maximum torque	Maximum output	Motor structure	Cooling method	Weight
7500r/min	38Nm	3.4kW	Totally enclosed type	Air cooling	11kg

◇ Characteristic curve



◇ Option

Reduction gear



Motor Drive Unit for Electric Motorcycle

◇ Motor for Electric Motorcycle (Switched Reluctance Motor)



Specifications

Input voltage : 72 V
Cooling method : Air cooling
Rating output : 0.59 kW
Maximum output : 3.4 kW
Rating speed : 6750 r/min
Maximum speed : 7500 r/min
Rating torque : 0.8 Nm
Maximum torque : 3.8 Nm

◇ Controller for Electric Motorcycle



Specifications

Rating voltage : 72 V
Rating current (Continuation) : 24 A
Cooling method : Air cooling

◇ System image

