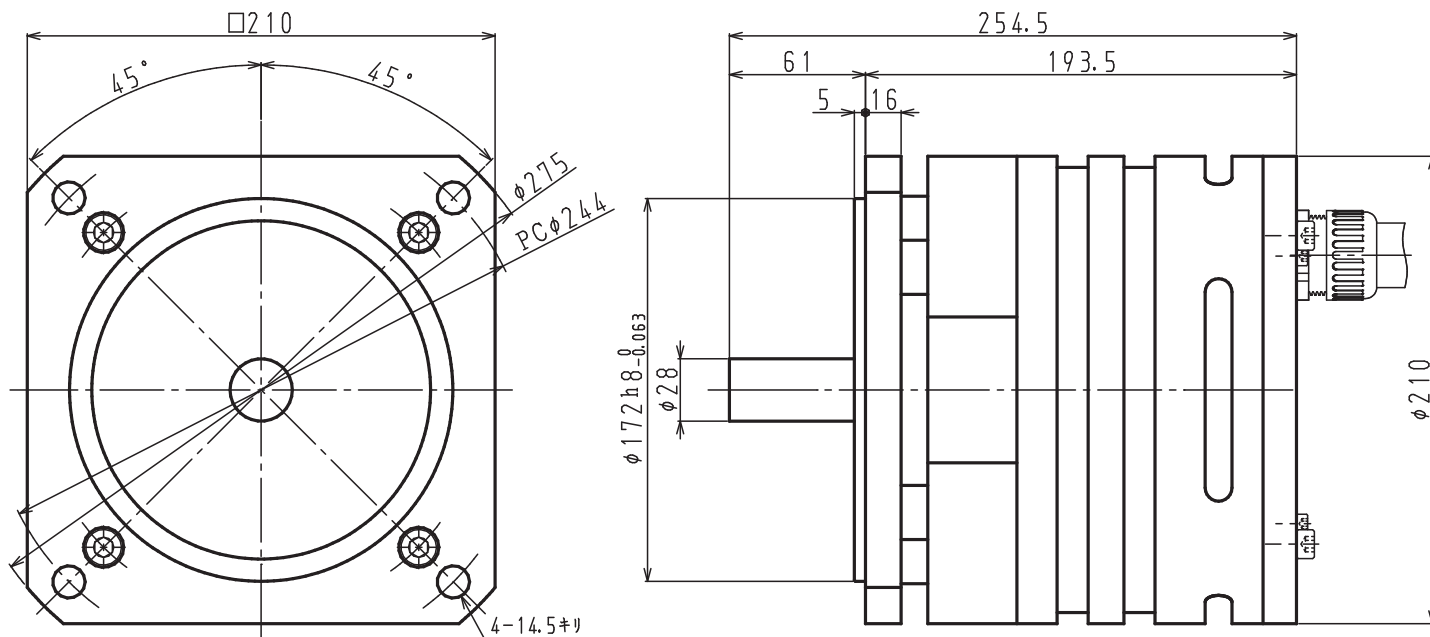


Switched Reluctance Motor for EVs

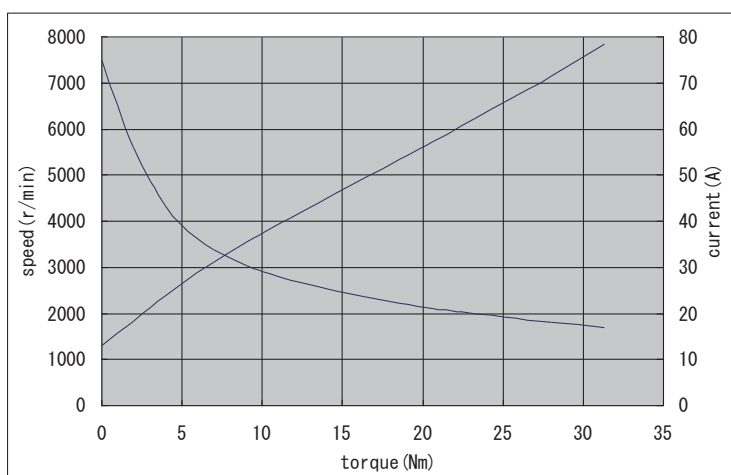
◇ Outside dimension



◇ Specifications

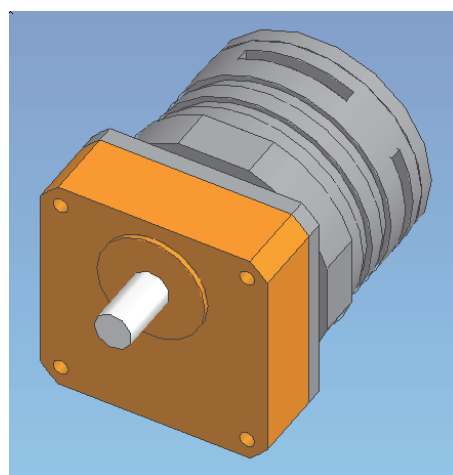
Type	Rating voltage	Rating current	Rating speed	Rating output	Rating Time
SRM-M18T-1	DC96V	42A	2600r/min	3.5kW	Continuity
		66A	1900r/min	5.0kW	5minutes
Maximum speed	Maximum torque	Maximum output	Motor structure	Cooling method	Weight
7500r/min	140Nm	7.2kW	Open type	Air cooling with blower	24kg

◇ Characteristic curve



◇ Option

Reduction gear



Motor Drive Unit for EVs

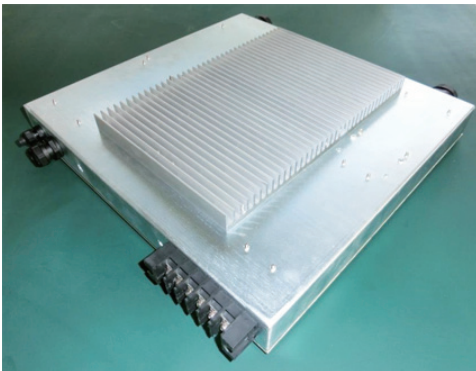
◇ Motor for Compact EVs (Switched Reluctance Motor)



Specifications

Input voltage : 96 V
Rating output : 3.5 kW
Maximum output : 7.2 kW
Rating speed : 2600 r/min
Maximum speed : 7500 r/min
Rating torque : 12.5 Nm
Maximum torque : 140 Nm
Cooling method : Air cooling with blower

◇ Controller for Compact EVs



Specifications

Rating voltage : 96 V
Rating current (Continuation) : 48 A
Rating current(5minutes) : 78 A
Cooling method : Air cooling

◇ System image

