

MEIWA ORG Series Generator

Main Features

- ◎High Output with low rotation speed
- ◎High Efficiency, High Cost Performance
- ◎Rugged and Long life



Radial Gap Outer-Rotor type generator
With magnets placed inside the outer yoke

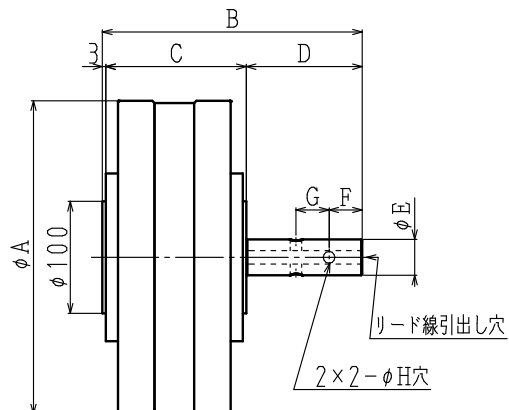
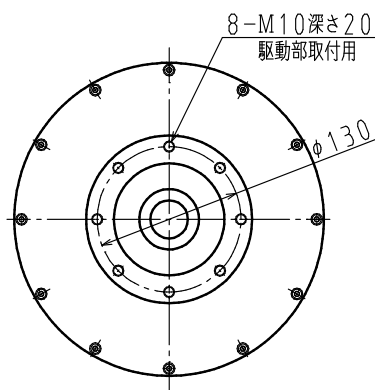
Specifications

Model	Description	Pole	Insulation	Power (kw)	Voltage (Vdc)	Current (A dc)	Rotation Speed (r/min)	Temperature (°C)	Weight (kg)
ORG-500	3 Phase magnet Generator	46	E	0.5	48	10.5	400	-10~40	12
ORG-1000		56	E	1	200	5	400		15
ORG-5000		56	F	5	200	25	600		45

* Voltage, Current specs are after DC Conversion (3 phase full-wave rectification).

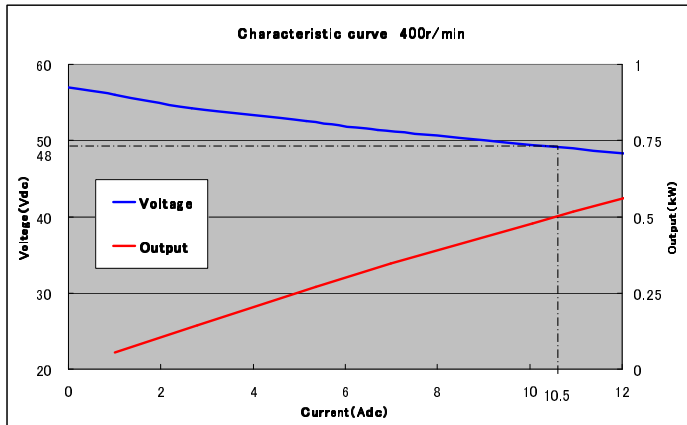
Dimensions

形名	A	B	C	D	E	F	G	H
ORG-500	226	235	127	105	32	30	30	10.5
ORG-1000	280	235	127	105	32	30	30	10.5
ORG-5000	298	328	205	120	45	35	35	12.5

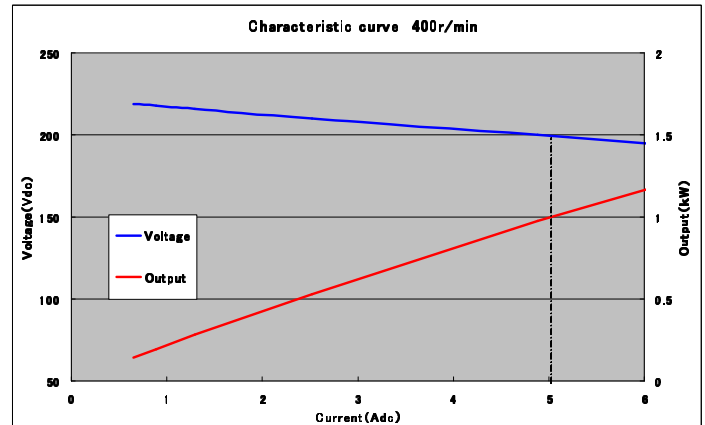


Output Characteristics

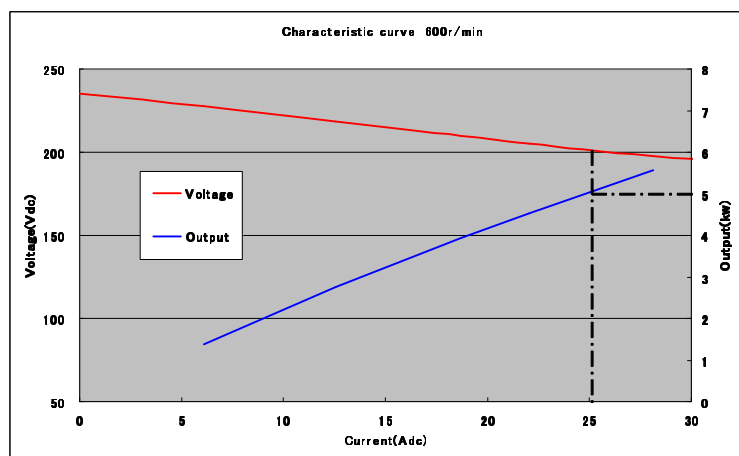
ORG-500



ORG-1000



ORG-5000



Installed Examples



Shiraito Waterfalls (Itoshima Fukuoka)



Agricultural Canal (Itoshima Fukuoka)

- Appearance and specifications of the product are subject to change.
 - The content of this brochure is as of September 2015.
 - This product has been developed utilizing the output of NEDO* project
- *New Energy and Industrial Technology Development Organization